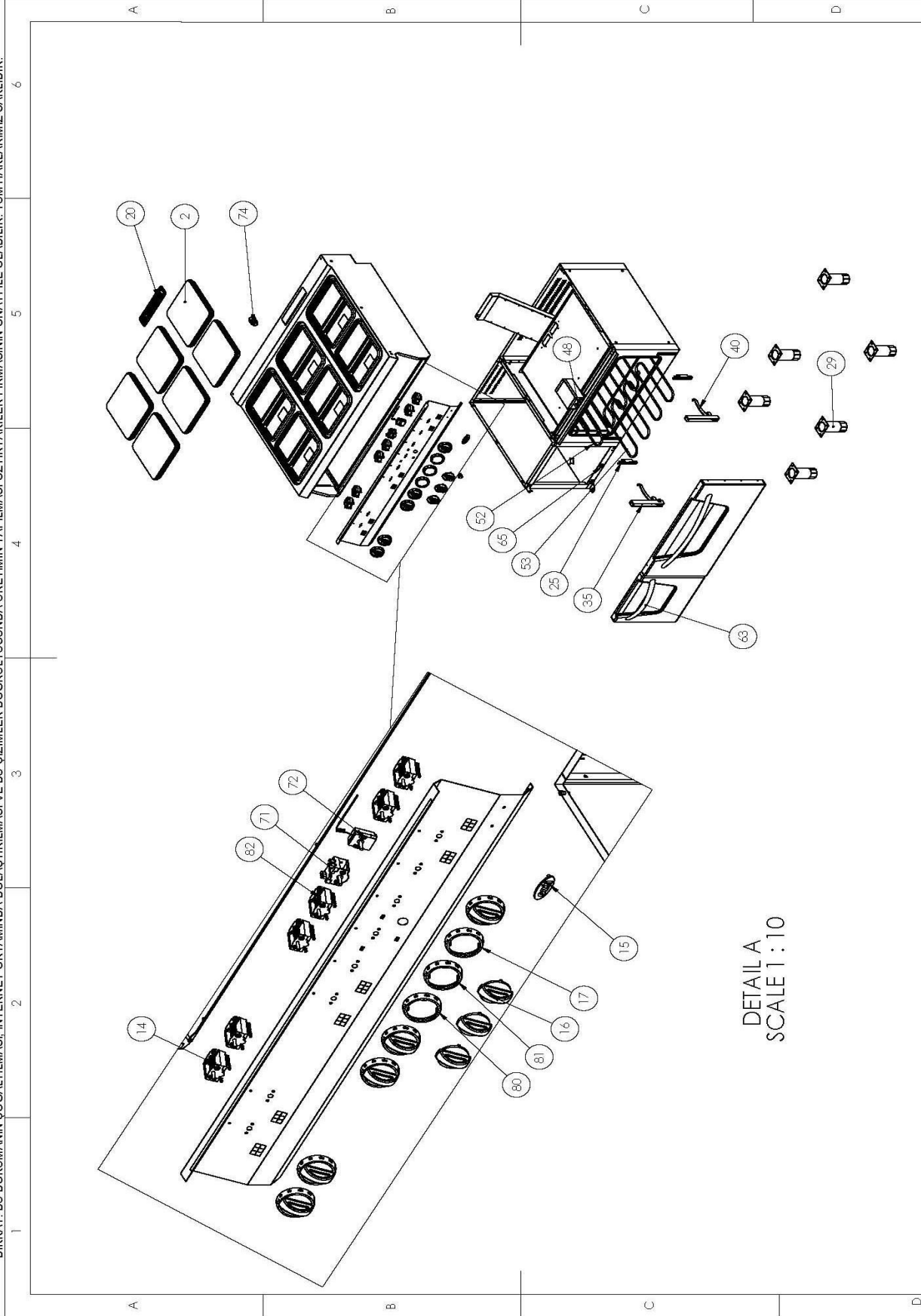




## SPARE PART LIST

Spare Part ItemCode	Item name.	PictureId
6254.00005.00	5 POLE SWITCH FOR HOT PLATES	14
6232.00004.15	MAGNET FOR DOOR 25x5x5mm NEODIUM	15
2179.09028.01	LABEL FOR FRONT PANEL "ÖZT RYAK LER"	15
6260.00015.45	THERMOPLASTIC KNOB MAIN BODY WITH 6 mm INSERT	16
6260.00015.30	THERMOPLASTIC KNOB SCALE 90-450 C	17
2865.N20.12000290.4.10	FRONT PANEL FOR 12090 ELECTRICAL RANGE	19
6246.00014.00	HOT PLATE 4 Kw 230 V 30x30 SQUARE	2
6260.00058.96	FLUE COVER CAST IRON WITH CERAMIC ENAMEL COATED FOR ALL 700&900	20
6201.00007.07	HINGE BALANCER FOR STATIC GAS OVEN DOOR 700-900	25
6260.00002.10	ADJUSTABLE FEET	29
6260.00002.10	ADJUSTABLE FEET	3
6230.00017.01	Contactora GMC-9M 1024VAC 220V L	48
6201.00007.06	HINGE FOR STATIC GAS OVEN DOOR-LEFT	51
6246.00025.17	HEATING ELEMENT 2300 W 230 V FOR 80'S STATIC OVEN	52
6246.00025.18	HEATING ELEMENT 3700 W 230 V FOR 80'S STATIC OVEN	53
6260.00010.34	OVEN DOOR HANDLE 538mm L 15x32mm CHROM COATED	54
6201.00007.05	HINGE FOR STATIC GAS OVEN DOOR-RIGHT 700-900	56
6232.00027.09	4 POS. SELECTOR SWITCH RTH C01	71
6234.00001.05	THERMOSTAT 50-300 C MONOPHASE	72
6259.00003.10	CABLE GLAND PG 21	74
6260.00010.35	DOOR HANDLE 310mm L 15x32mm CHROM COATED	8
6260.00015.49	THERMOPLASTIC KNOB SCALE WITH "O" MARKED FOR "OK"	80
6260.00015.32	THERMOPLASTIC KNOB SCALE 50-300 C	81
6254.00005.04	4 POLE ON-OFF SWITCH	82

DİKKAT: BU DÖKÜMANIN COĞALTILMASI İNTERNET ORTAMINDA DOLAŞTIRILMASI VE BU ÇİZİMLER DOĞRULUSUNDA ÜRETİMİN YAPILMASI ÖZT RYAK LER FİRMASININ ONAYI İLE OLABİLİR. TÜM HAKLARIMIZ SAKLIDIR.


 DETAIL A  
 SCALE 1 : 10

RİSD	BİM	İMZA	TARİH	MATERYAL	TOLERANS	özti ryak l er	
ÇİZEN	E.BAŞTUĞ		22.12.2012		DIN 71 68	PARÇA ADI	6 ocaklı elektrikli kuzine
KONTROL	M.HACI		22.12.2012		ORTA		
ONAY	M.HACI		22.12.2012				
AĞIRLIK(Kg.)	124566.47	KALINLIK	REVİZYON	1	ÖLÇEK	1:100	T. RESİM NO
							OSCOEF 12090 patlamış

 ARGE  
 KONTROLLÜ KOPYA

V13.01

RESİM ÜZERİNDEN ÖLÇÜ ALMAYINIZ! TÜM ÖLÇÜLER mm ÇİNSİNDİR

WARNING: IT IS APPROPRIATE TO MULTIPLY, USE, DISPLAY AT COMPUTER/INTERNET AND PRODUCE THE PRODUCT WITH ITS DRAWINGS WITH THE APPROVAL OF ÖZT RYAK LER COMPANY. ALL RIGHTS RESERVED.